

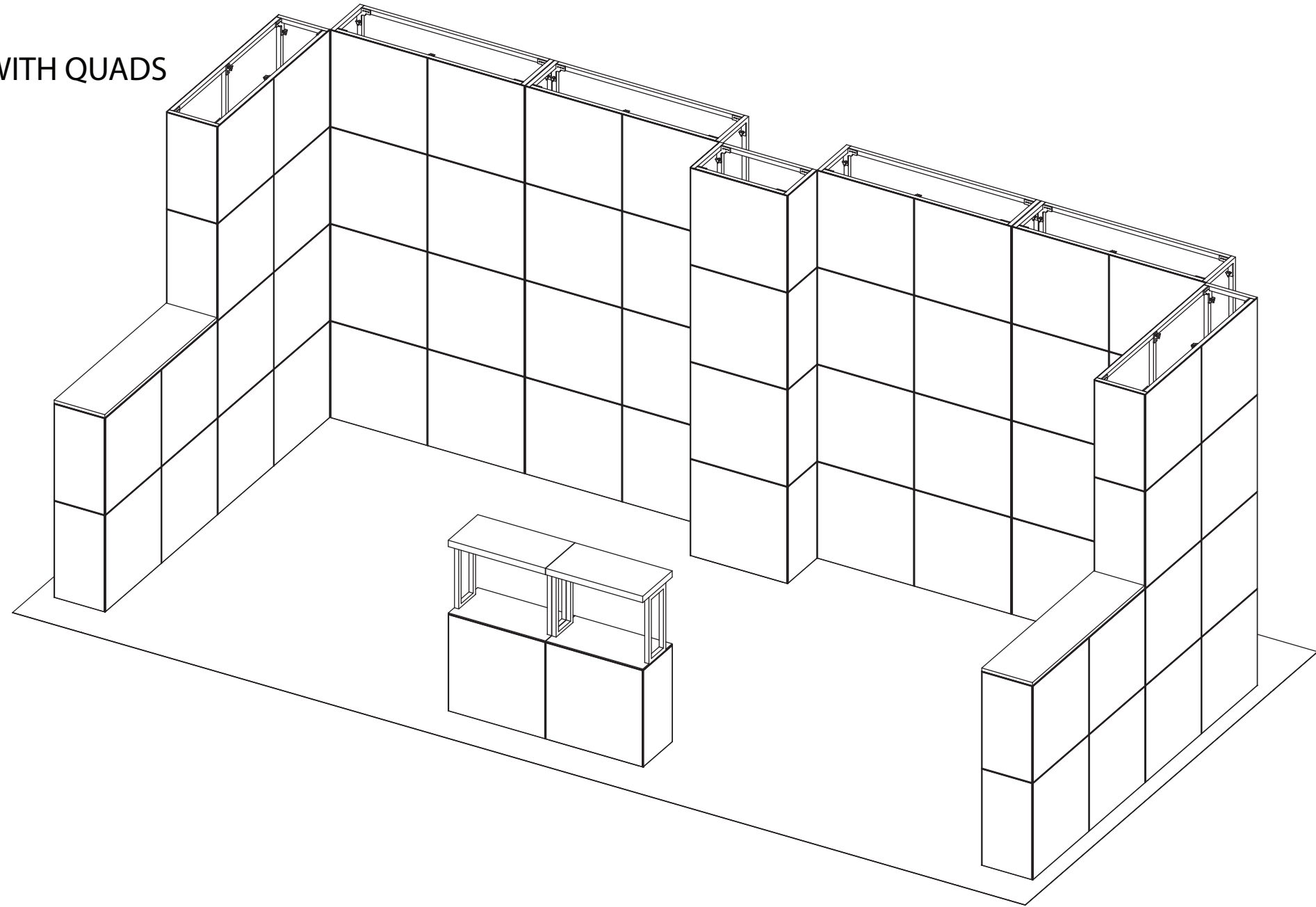
WHEN ASSEMBLING **EX PO MultiQuad**

REMEMBER YOUR **ABC**'s...

**A**SSEMBLE EACH COMPONENT SEPARATELY

**B**UILD THE DESIRED LAYOUT

**C**OVER YOUR MULTIQUAD LAYOUT WITH QUADS



**EX PO MultiQuad**<sup>®</sup>  
An *ExpoDisplays* Product

**MQ - K2120**  
10'x20' Custom MultiQuad



**Expo EX PO Displays**<sup>®</sup>  
A Division of Diamond Displays International

3401 Mary Taylor Road  
Birmingham, Alabama 35235  
(205) 439-8200

Drawn By: SH

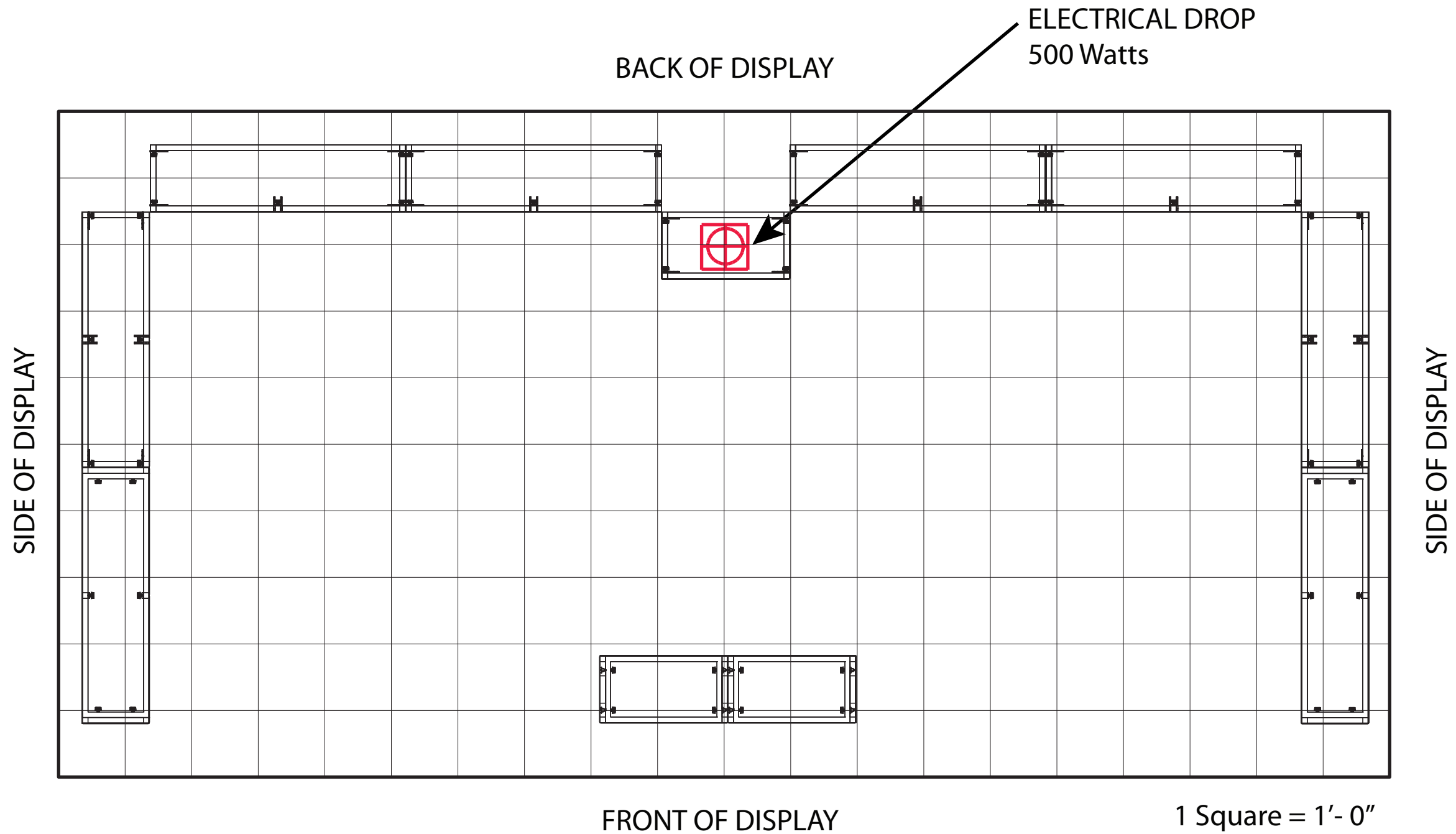
Project Title

**MultiQuad**<sup>®</sup>  
An ExpoDisplays Product

**MQ-K2120**

Sheet Title

**ASSEMBLY  
INSTRUCTIONS  
COVER SHEET**



BACK OF DISPLAY

ELECTRICAL DROP  
500 Watts

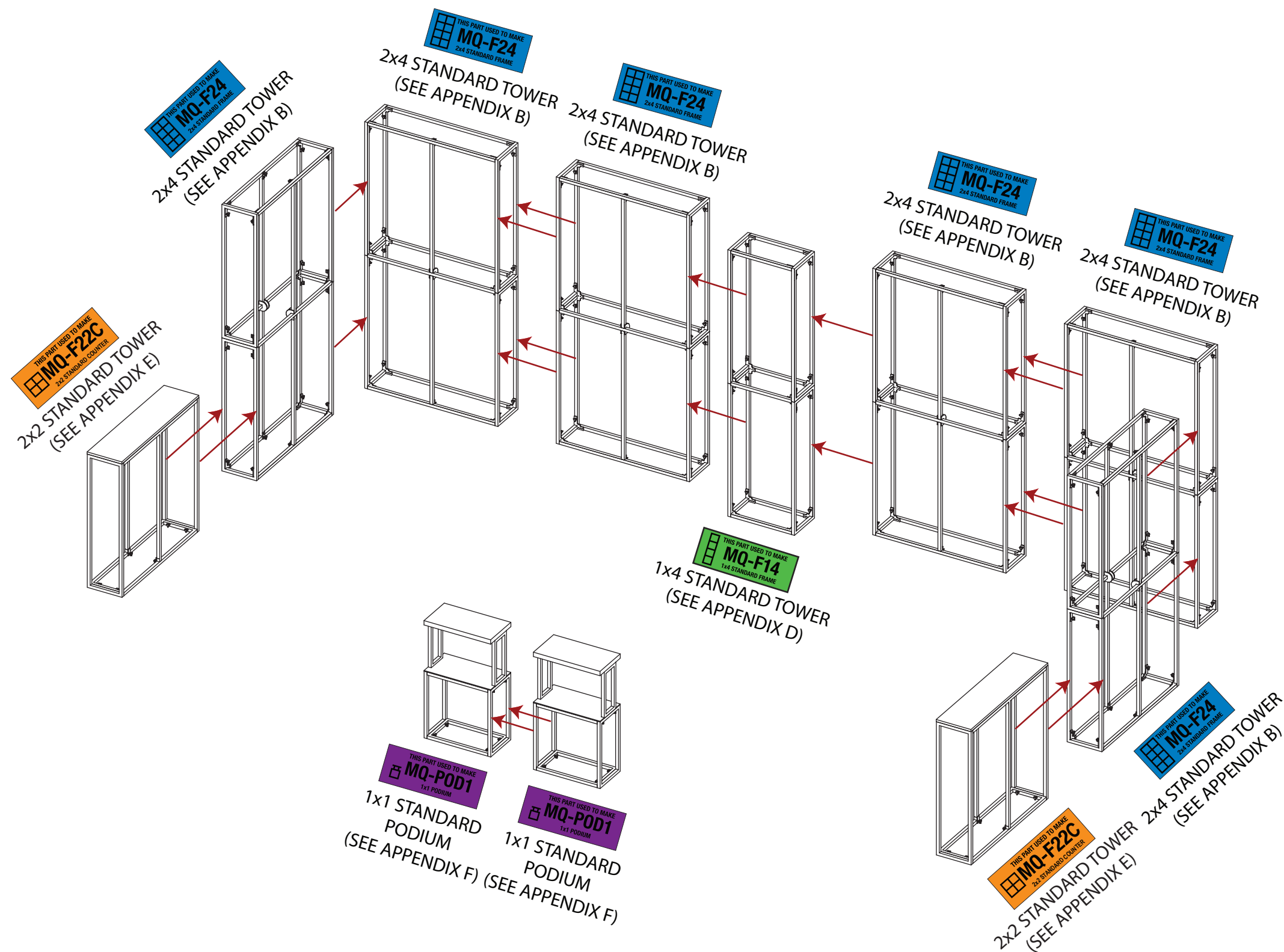
SIDE OF DISPLAY

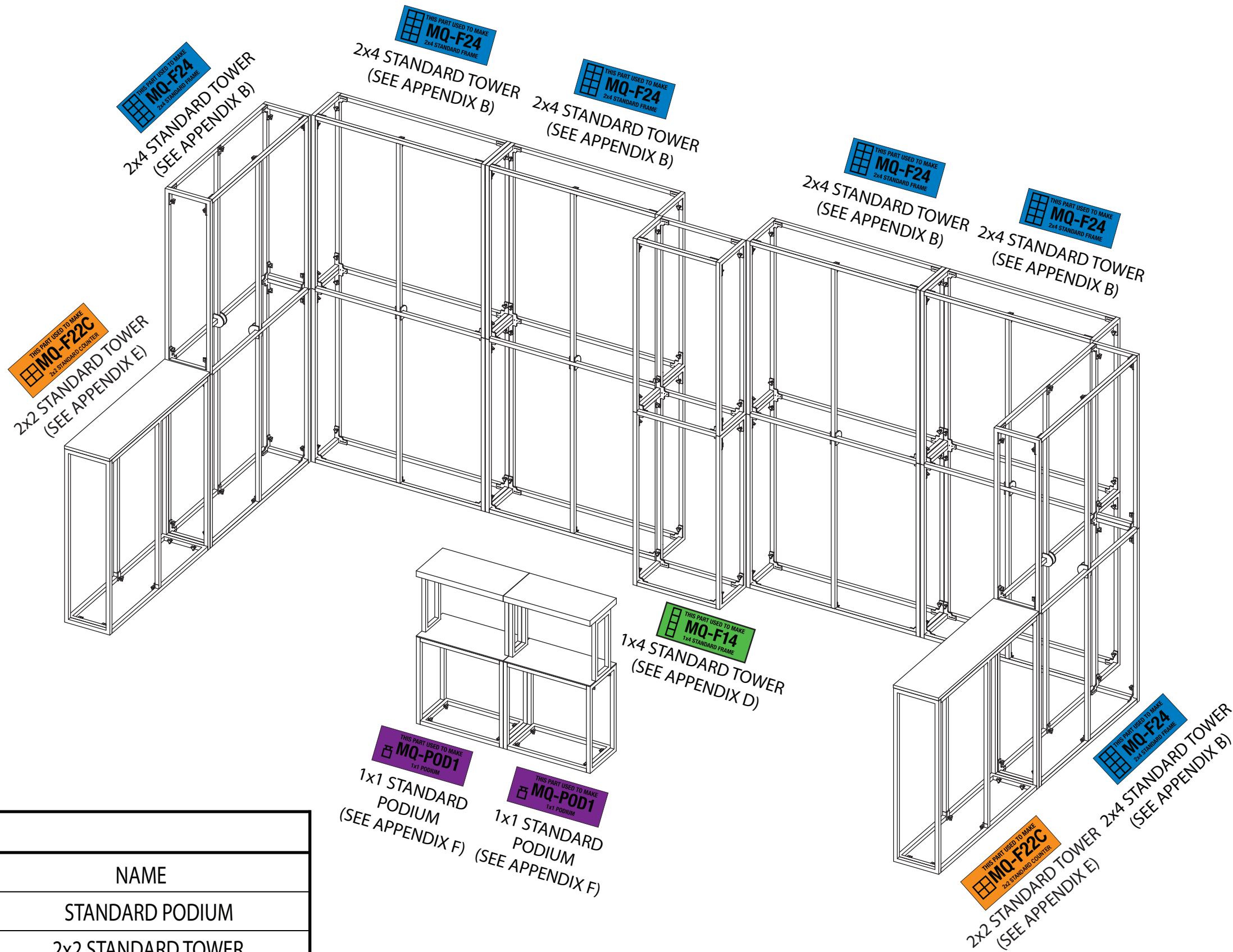
SIDE OF DISPLAY

FRONT OF DISPLAY





1 Square = 1'-0"

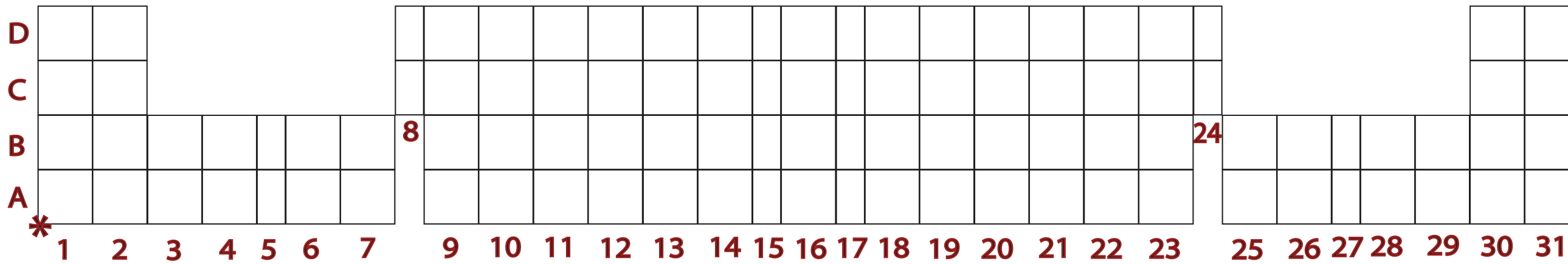
1. PLACE THE FAR LEFT TOWER INTO THE DESIRED LOCATION USING PAGE 2
2. SLIDE ADJACENT TOWER INTO PLACE AND ATTACH USING THE PROVIDED CONNECTORS (SEE APPENDIX A)
3. REPEAT STEP 2 UNTIL ALL THE FRAMES ARE JOINED TOGETHER
4. INSTALL ALL REMAINING ACCESSORIES





**PARTS LIST:**

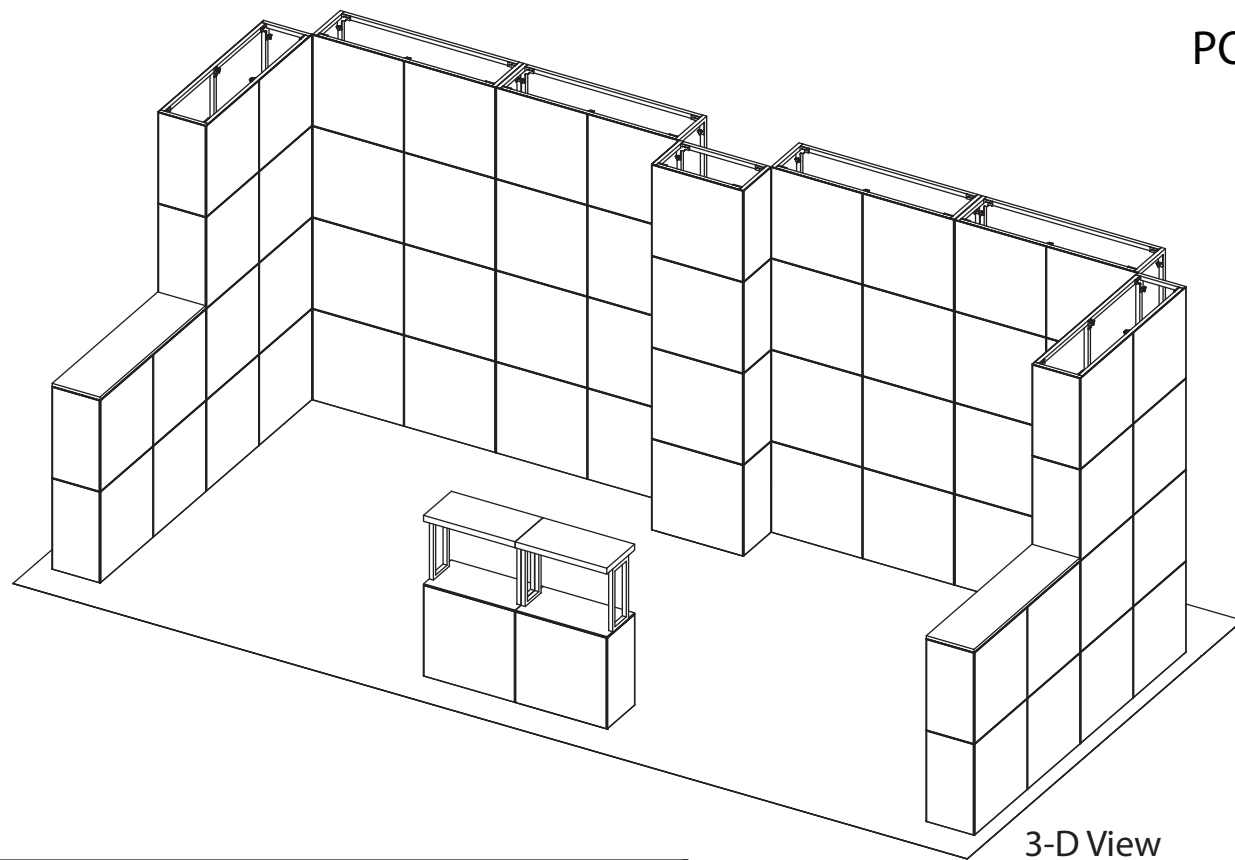
#	LABEL	NAME
2	 <b>MQ-POD1</b> 1x1 PODIUM	STANDARD PODIUM
2	 <b>MQ-F22C</b> 2x2 STANDARD COUNTER	2x2 STANDARD TOWER
1	 <b>MQ-F14</b> 1x4 STANDARD FRAME	1x4 STANDARD TOWER
6	 <b>MQ-F24</b> 2x4 STANDARD FRAME	2x4 STANDARD TOWER



MAIN WALL FLATTENED ELEVATION

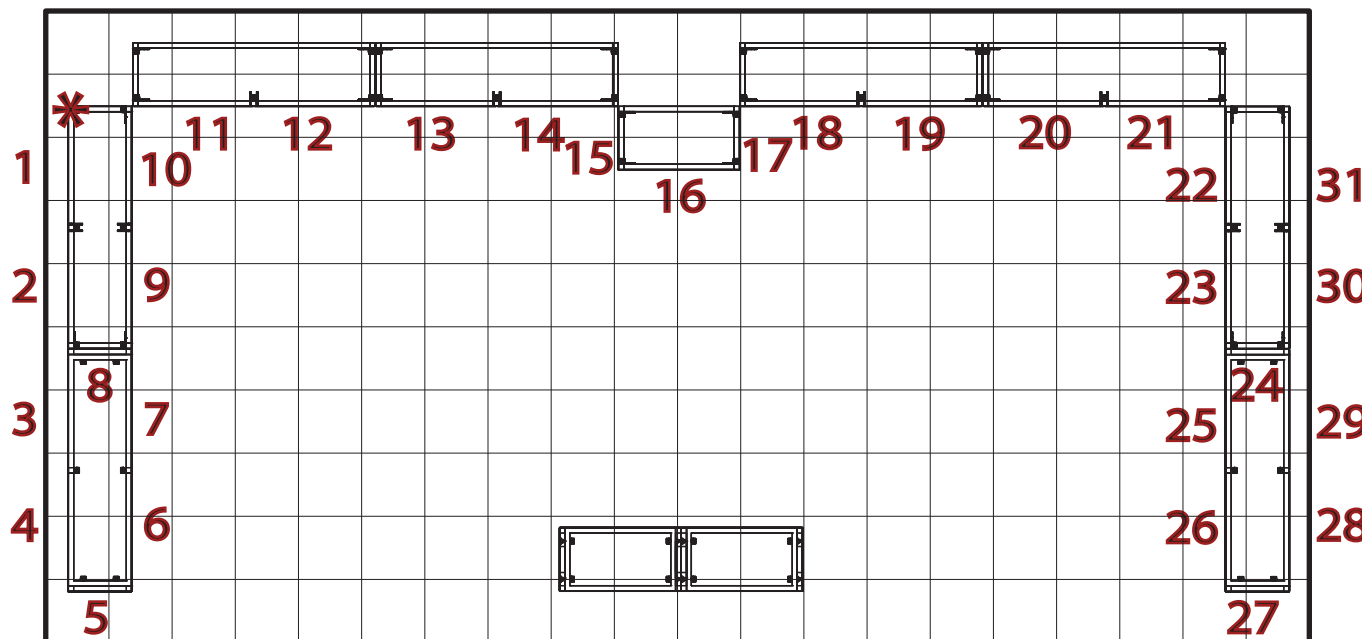


PODIUM FLATTENED ELEVATION



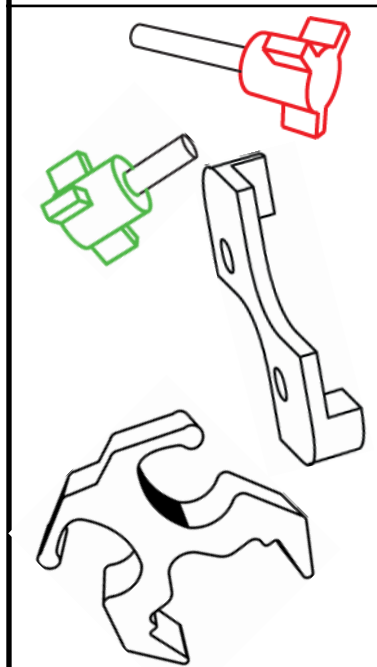
3-D View

PARTS LIST:		
#	SIZE	NAME
88	23x23	STANDARD QUAD
18	12x23	SIDE QUAD

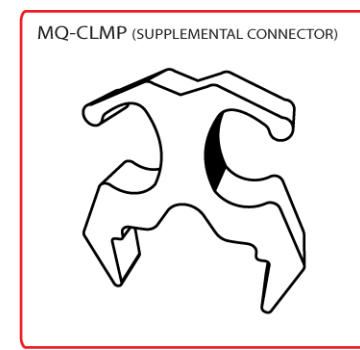


\* = ORIGIN

Plan View

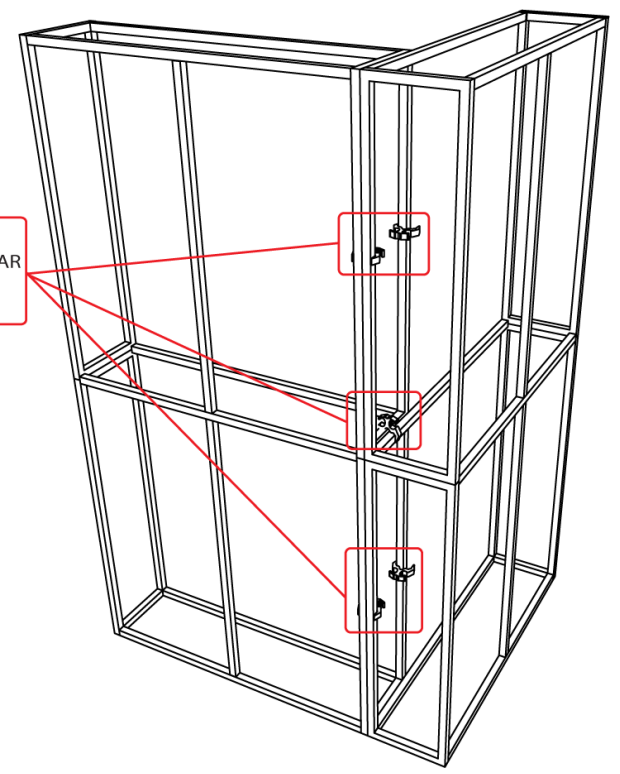


**MQ-CLMP SUPPLEMENTAL CONNECTOR INSTRUCTIONS**  
(NOT REQUIRED IN EVERY CONFIGURATION)



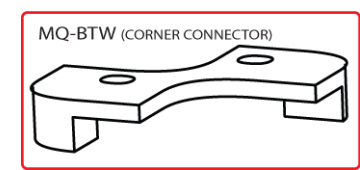
THE MQ-CLMP IS A FRICTION-FIT (SLIDES ON) CONNECTOR/ ALIGNMENT TOOL FOR USE IN ABNORMAL MULTIQUAD FRAME CONFIGURATIONS, OR AS ADDITIONAL FRAME SECURITY IN SPECIAL SITUATIONS.

THE MQ-CLMP SIMPLY SLIDES OVER THE MULTIQUAD FRAME WHERE NEEDED



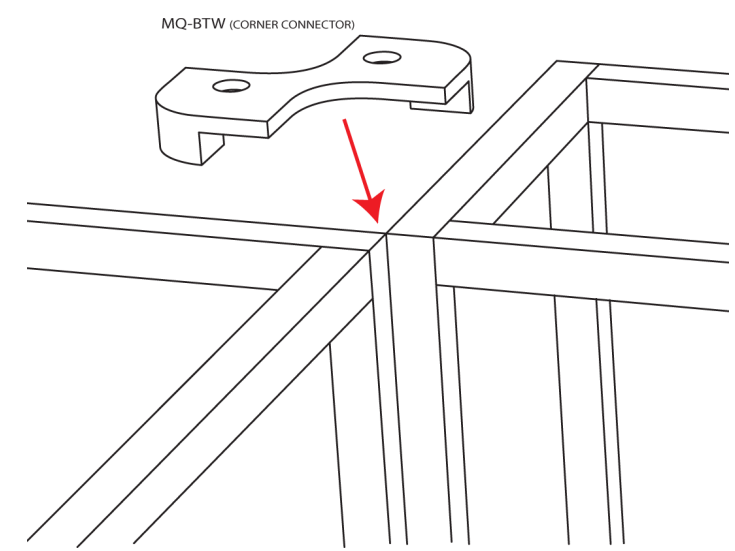
HERE THEY ARE USED TO SECURE A PERPENDICULAR FRAME-TO-FRAME CONFIGURATION

**MQ-BTW CORNER ALIGNMENT TOOL INSTRUCTIONS**  
(NOT REQUIRED IN EVERY CONFIGURATION)

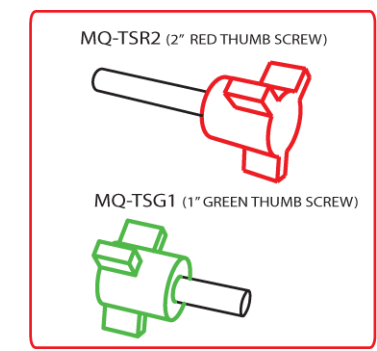


THE MQ-BTW CORNER ALIGNMENT TOOL IS DESIGNED TO AID IN THE ALIGNMENT OF FRAMES AS NEEDED IN SOME MULTIQUAD CONFIGURATIONS.

AFTER TWO MULTIQUAD FRAMES ARE SET "CORNER-TO-CORNER" THE MQ-BTW SIMPLY SLIDES OVER THE CORNER AND SETTLES INTO PLACE. THIS, ALONG WITH THE ADJUSTMENT OF THE LEVELING FEET, WILL HELP WITH THE ALIGNMENT OF THE FRAMES



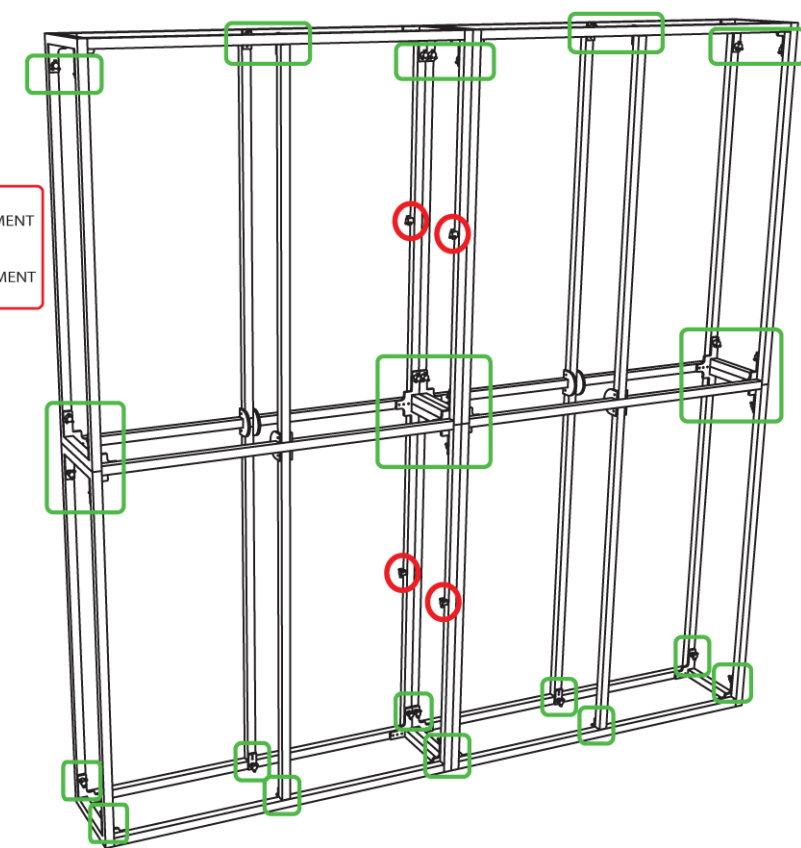
**MQ-TSR2 / MQ-TSG1 THUMB SCREW INSTRUCTION**



THE MQ-TSR2 IS A 2" RED THUMB SCREW. IT IS USED TO CONNECT MULTIQUAD FRAMES INTO AN INLINE CONFIGURATION. MULTIQUAD FRAMES HAVE A LEFT AND A RIGHT SIDE AFTER CONSTRUCTION. THESE SCREWS PASS THROUGH ONE FRAME AN SCREW INTO ANOTHER ADJACENT FRAME.

THE MQ-TSG1 IS A 1" GREEN SCREW. THEY ARE USED TO ASSEMBLE MOST MULTIQUAD FRAMES

- = MQ-TSR2 PLACEMENT
- = MQ-TSG1 PLACEMENT

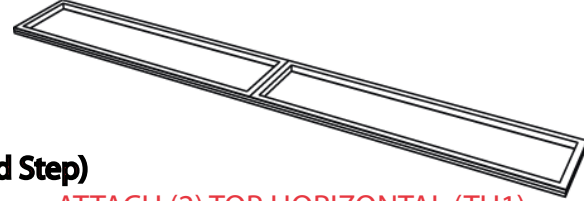


**PARTS LIST:**

#	LABEL	NAME
1	LVH1	LEFT VERTICAL HINGED
1	RVH1	RIGHT VERTICAL HINGED
2	BH1	BOTTOM HORIZONTAL
2	MH1	MIDDLE HORIZONTAL
2	TH1	TOP HORIZONTAL
2	CVH1	CENTER VERTICAL HINGED
20	GRN	1" THUMB SCREWS
4	RED	2" THUMB SCREWS

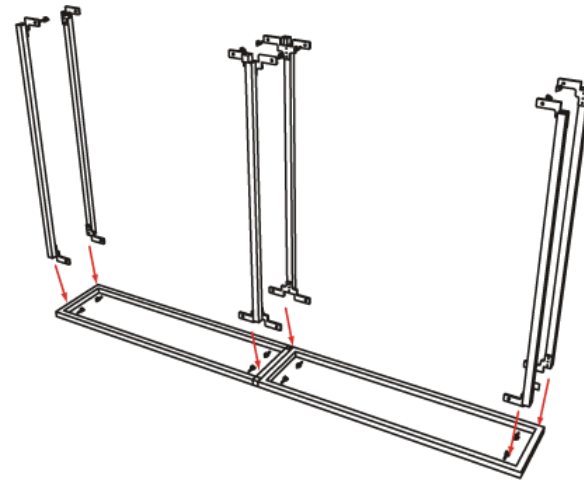
**1st Step)**

START WITH THE LEFT VERTICAL HINGE (LVH1) ON THE GROUND



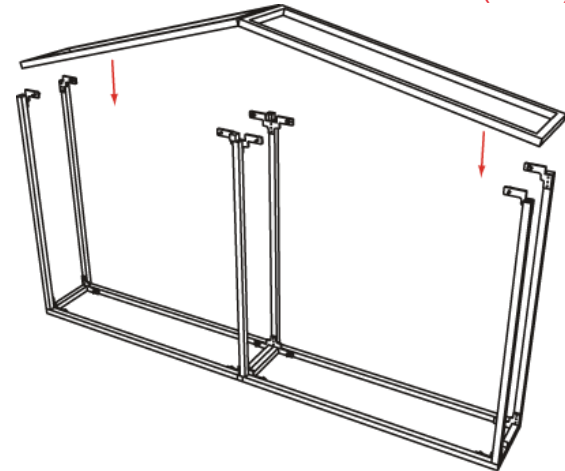
**2nd Step)**

ATTACH (2) TOP HORIZONTAL (TH1), (2) MIDDLE HORIZONTAL (MH1), (2) BOTTOM HORIZONTAL (BH1)



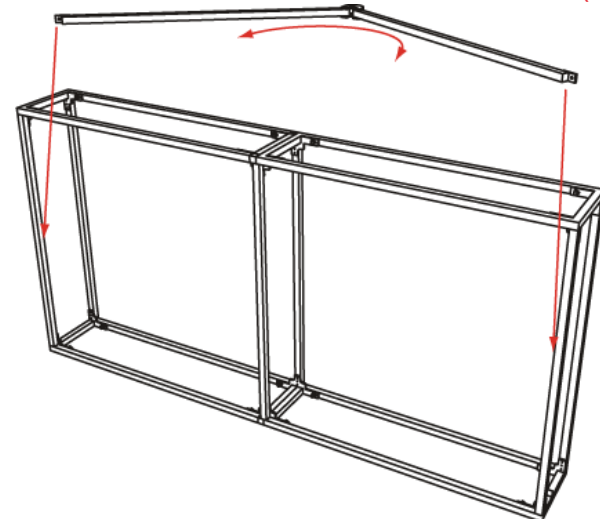
**3rd Step)**

ATTACH THE RIGHT HINGED SIDE (RVH1)

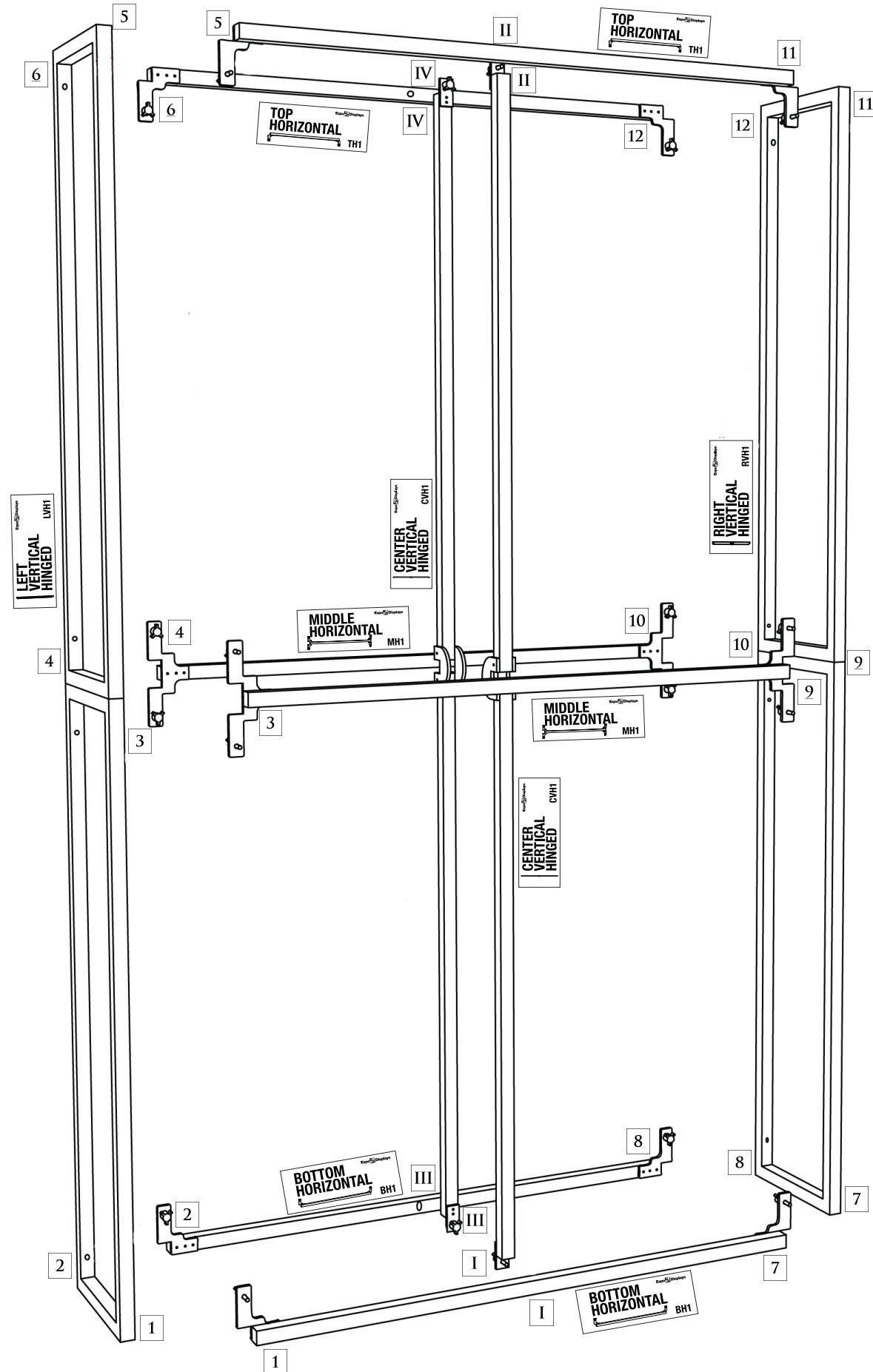


**4th Step)**

ATTACH THE CENTER VERTICAL HINGED (CVH1)



\*MATCH NUMBERS TO CONSTRUCT.



**Expo EX PO Displays**  
A Division of Diamond Displays International

3401 Mary Taylor Road  
Birmingham, Alabama 35235  
(205) 439-8200

Drawn By: AKHIII

THIS PART USED TO MAKE  
**MQ-F24**  
2x4 STANDARD FRAME



Sheet Title

**ASSEMBLY INSTRUCTIONS**  
**2x4 STANDARD FRAME**  
**MQ-F24**

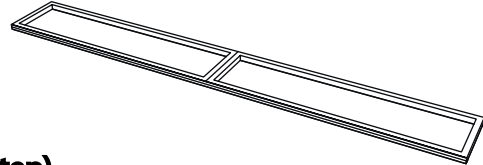
APPENDIX B

**PARTS LIST:**

#	LABEL	NAME
1	LVH1	LEFT VERTICAL HINGED
1	RVH1	RIGHT VERTICAL HINGED
2	BH2	BOTTOM HORIZONTAL
2	MH2	MIDDLE HORIZONTAL
2	TH2	TOP HORIZONTAL
16	GRN	1" THUMB SCREWS
4	RED	2" THUMB SCREWS

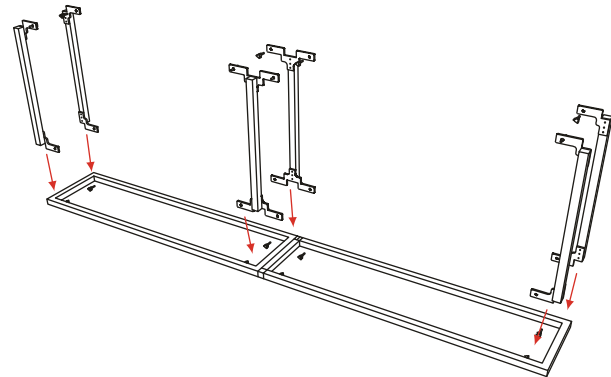
**1st Step)**

START WITH THE LEFT VERTICAL HINGE (LVH1) ON THE GROUND



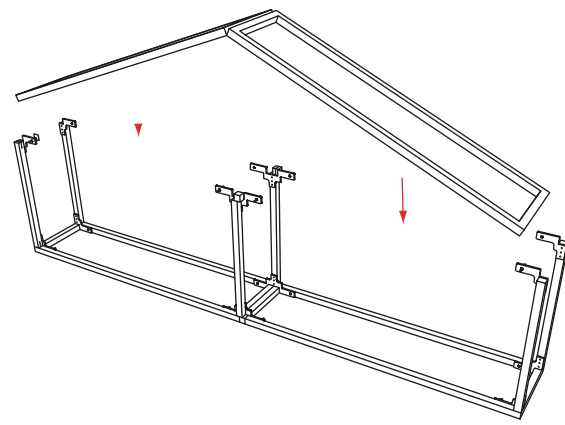
**2nd Step)**

ATTACH (2) TOP HORIZONTAL (TH1), (2) MIDDLE HORIZONTAL (MH1), (2) BOTTOM HORIZONTAL (BH1)



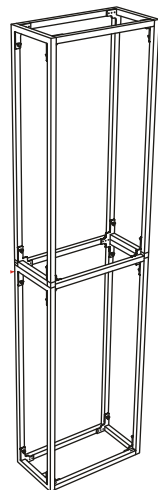
**3rd Step)**

ATTACH THE RIGHT HINGED SIDE (RVH1)

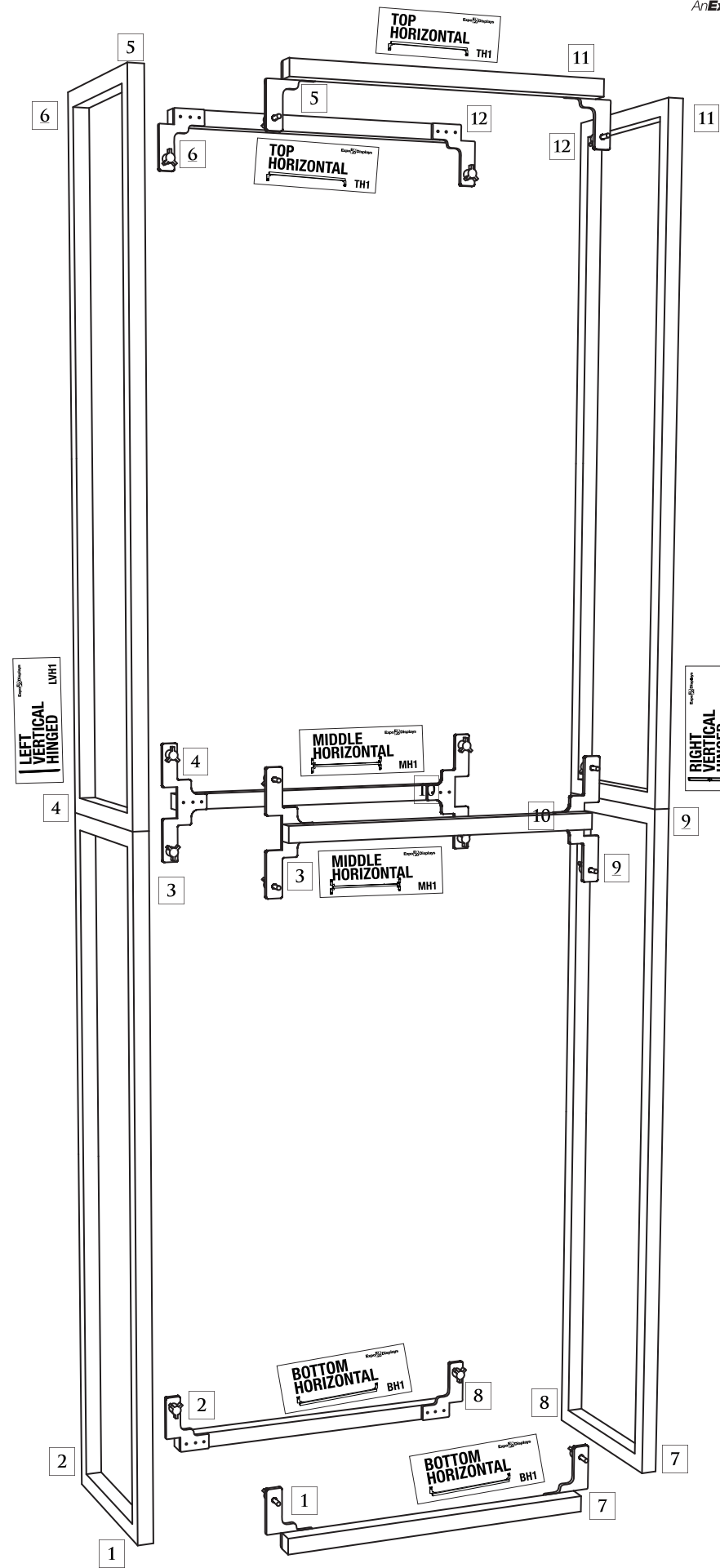


**4th Step)**

ATTACH THE CENTER VERTICAL HINGED (CVH1)



\*MATCH NUMBERS TO CONSTRUCT.



**Expo EXPO Displays**  
A Division of Diamond Displays International

3401 Mary Taylor Road  
Birmingham, Alabama 35235  
(205) 439-8200

Drawn By: AKHIII

THIS PART USED TO MAKE  
**MQ-F14**  
1x4 STANDARD FRAME

Sheet Title

**ASSEMBLY INSTRUCTIONS**  
**1x4 STANDARD TOWER**  
**MQ-F14**

APPENDIX D

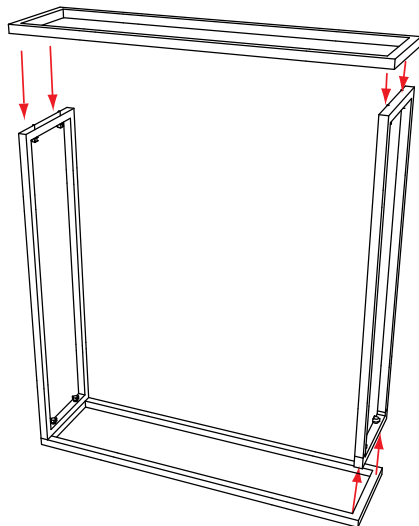


**PARTS LIST:**

#	LABEL	NAME
1	LVR1	LEFT VERTICAL RECTANGLE
1	RVR1	RIGHT VERTICAL RECTANGLE
1	BHR1	BOTTOM HORIZONTAL RECT.
2	CVH2	CENTER VERTICAL HALF
1	THR2	TOP HORIZONTAL RECTANGLE
4	GRN	1" THUMB SCREWS
8	RED	2" THUMB SCREWS
1	CT1246	COUNTER TOP FOR MQ-F22C

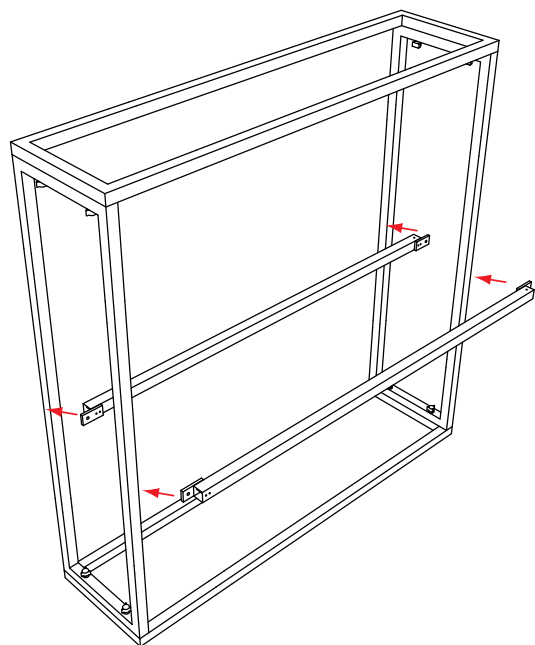
**1st Step)**

START WITH THE (LVR1) ON THE GROUND. ATTACH THE (THR1), (BHR1), AND (RVR1)



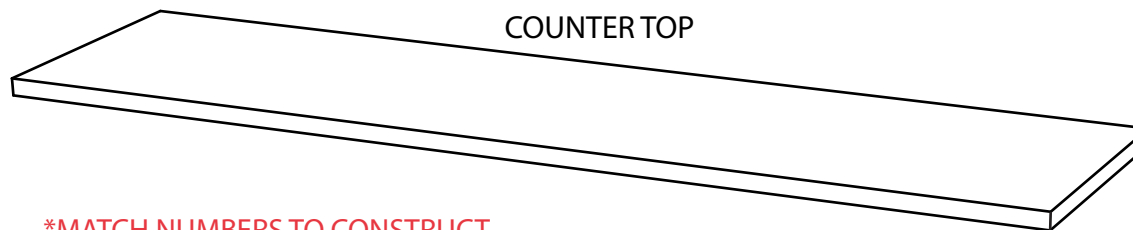
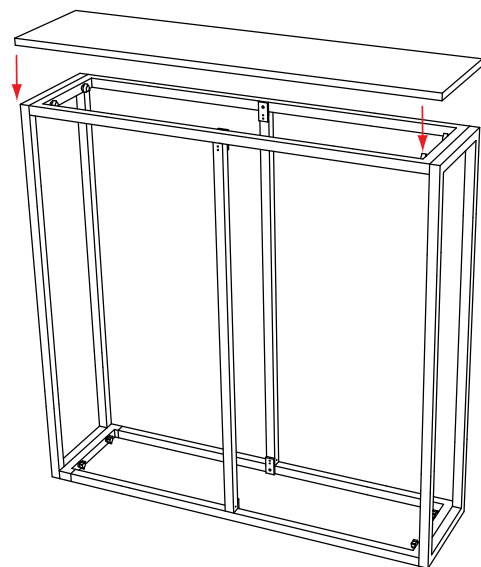
**2nd Step)**

ATTACH THE (2) CENTER VERTICLE (CVH2)

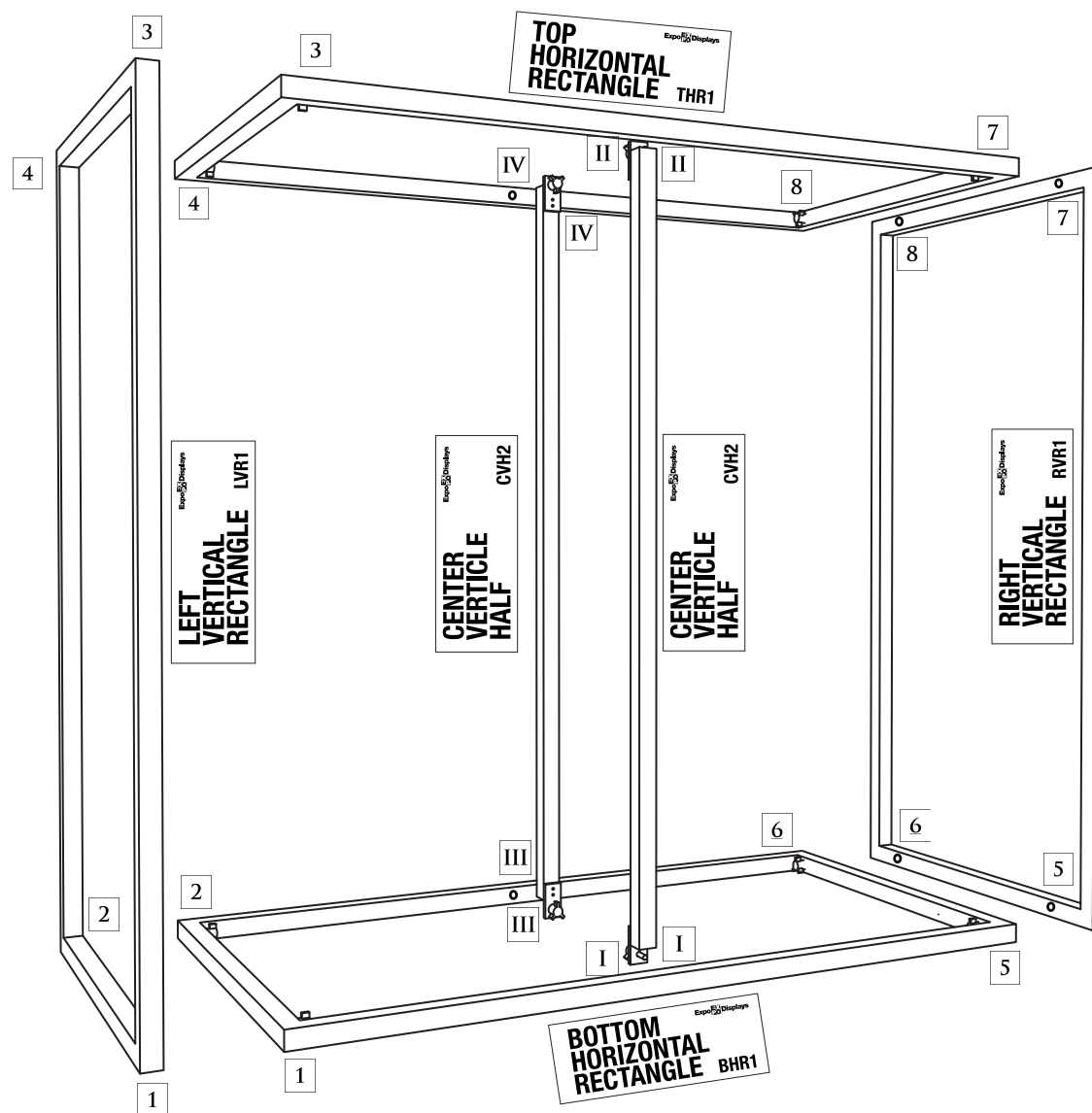


**3rd Step)**

STAND UPRIGHT AND PLACE COUNTER ON TOP



\*MATCH NUMBERS TO CONSTRUCT.



**Expo EX PO Displays**  
A Division of Diamond Displays International

3401 Mary Taylor Road  
Birmingham, Alabama 35235  
(205) 439-8200

Drawn By: AKHIII

THIS PART USED TO MAKE  
**MQ-F22C**  
2x2 STANDARD COUNTER

Sheet Title

**ASSEMBLY  
INSTRUCTIONS  
2x2 STANDARD  
COUNTER  
MQ-F22C**

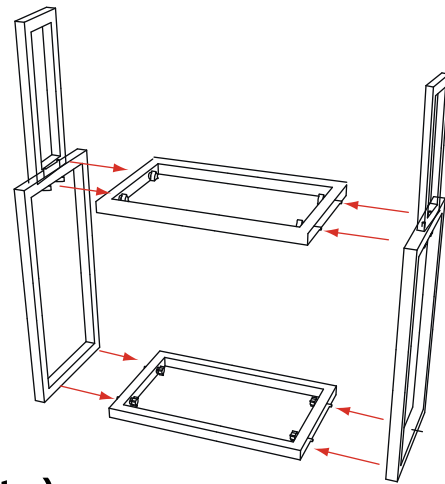
APPENDIX E

**PARTS LIST:**

#	LABEL	NAME
1	LVP1	LEFT VERTICAL PODIUM
1	RVP1	RIGHT VERTICAL PODIUM
1	BHR2	BOTTOM HORIZONTAL
1	THR2	TOP HORIZONTAL RECTANGLE
1	SSPOD1	SHELF
1	CTPOD1	PODIUM COUNTER TOP
0	GRN	1" THUMB SCREWS
12	RED	2" THUMB SCREWS

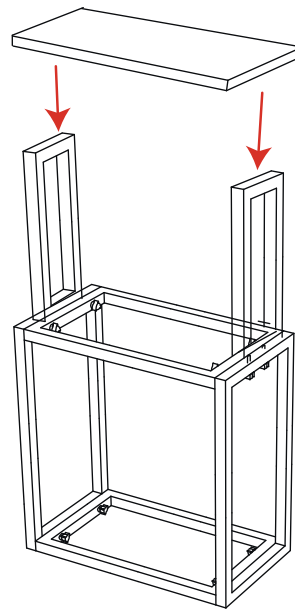
**1st Step)**

START WITH THE (BHR2) ON THE GROUND. ATTACH THE (LVP1), AND (RVP1) THEN ATTACH THE (THR2)



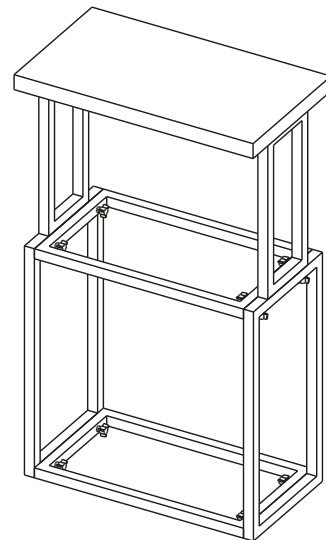
**2nd Step)**

ATTACH THE PODIUM COUNTER TOP

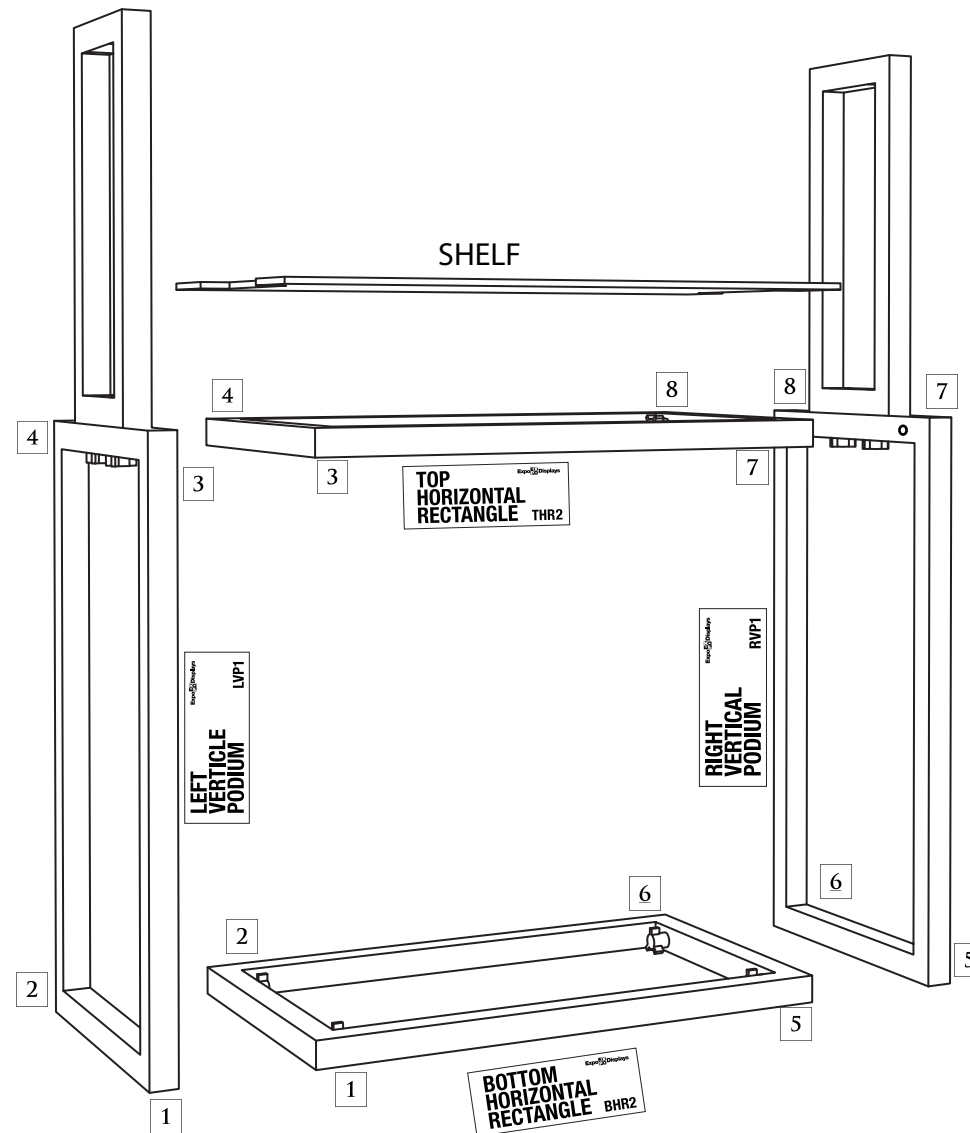
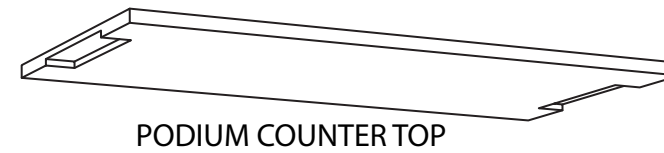


**3rd Step)**

ATTACH THE SHELF



\*MATCH NUMBERS TO CONSTRUCT.



**Expo EX PO Displays**  
A Division of Diamond Displays International

3401 Mary Taylor Road  
Birmingham, Alabama 35235  
(205) 439-8200

Drawn By: AKHIII

THIS PART USED TO MAKE  
**MQ-POD1**  
1x1 PODIUM

Sheet Title

**ASSEMBLY INSTRUCTIONS**  
**1x1 STANDARD PODIUM**  
**MQ-POD1**